

Toyota Kluger

General Information	
Seller Name	Aung Aung Oo
Engine Capacity	3000 CC
Mileage	122949 km
Fuel Type	Petrol
Transmission Type	Auto
Color	Black
Location	Yankin

Engine/Transmission	Ok/Not Ok	Remarks
Fluid/Filters Check		
Engine Oil	Ok	
Transmission Oil	Ok	
Brake Oil	Ok	
Washer Fluid	Ok	
Machanical Check		
Belts are OK	Ok	
Engine Vibration is OK	Ok	
Engine Cooling System		
Radiator Expansion Tank is Ok	Ok	
Suction Fan is Ok	Ok	
Engine Electronics		
Starter Operation is Ok	Ok	

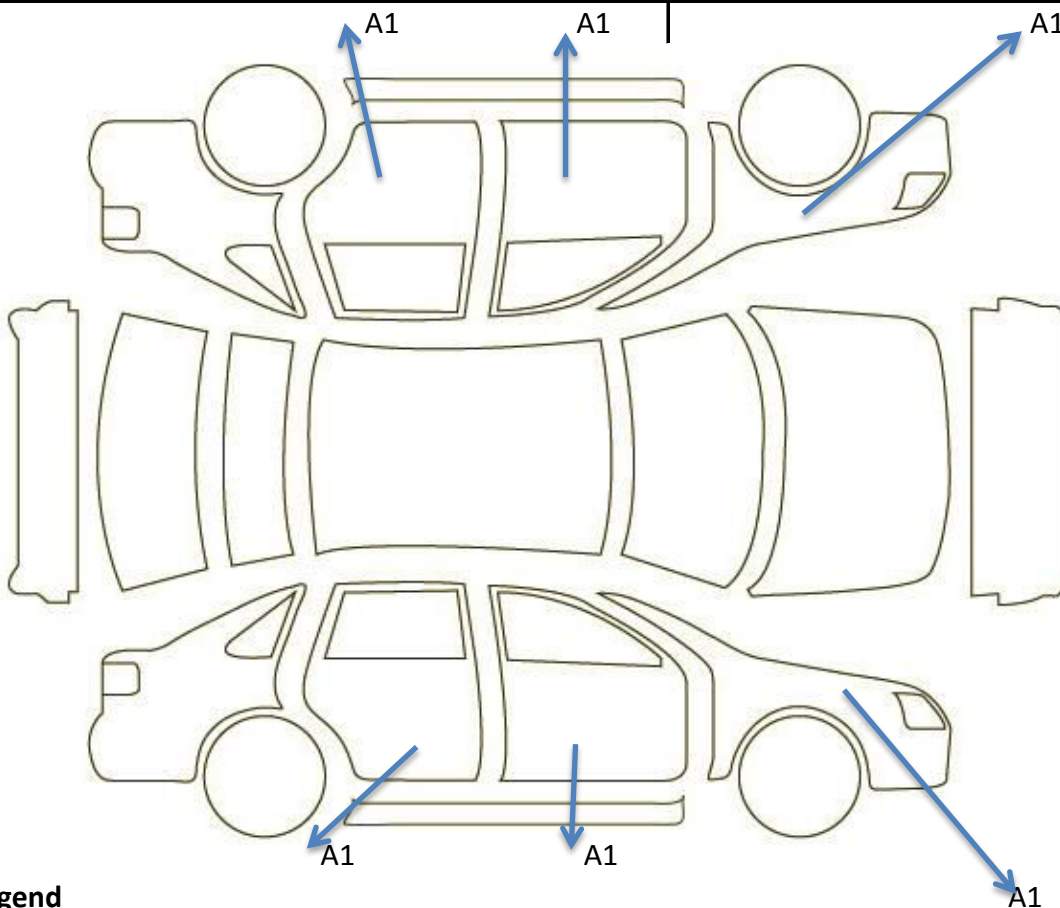
Interior		
Steering Controls		
Lights Lever/Switch is working	Ok	
Washer Lever/Switch is working	Ok	
Windscreen Wiper is Ok	Ok	
Horn is working	Ok	
Mirrors		
Side Mirror Right is working	Ok	
Side Mirror Left is working	Ok	
Power/Manual Windows & Central Locking		
Power Window/Manual Lever Right Front is Working	Ok	
Power Window/Manual Lever Right Rear is Working	Ok	
Power Window/Manual Lever Left Front is Working	Ok	
Power Window/Manual Lever Left Rear is Working	Ok	
Central Lock System is working	Ok	
Remote Lock is working	Ok	
Dash/Roof Controls		
Interior Lightings are Working	Ok	
Dash Controls - A/C are Working	Ok	
Dash Controls - De-Fog is Working	Ok	
Dash Controls - Hazzard Lights are Working	Ok	
Audio/Video is Working	Ok	
Rear View Camera is Working	Ok	
Cigarette Lighter is Working	Ok	
Fuel Cap Release Lever/Button is Working	Ok	
Bonnet Release Lever/Button is Working	Ok	

Interior		
Ceiling is Clean	Ok	
Floor is Clean	Ok	
Doors Panel is Clean	Ok	
Dashboard Condiiton is Clean	Ok	
Sunshades are Working	Ok	
Boot Carpet / Mat is Clean	Ok	
Boot Board is Clean	Ok	
Driver Seat is Clean	Ok	
Passenger Seat is Clean	Ok	
Rear Seat is Clean	Ok	
Equipment		
Spare Tire is present	Ok	
Tools or Jack is present	Ok	
Electrical & Electronics		
Battery Terminals are Ok	Ok	
Voltage is in Range	Ok	
Instrument Cluster		
Gauges are working	Ok	
Malfunction indication is not present	Ok	

Exterior		
Doors/Windows		
Trunk Lock is Ok	Ok	
Door Fittings Front Right is Ok	Ok	
Door Fittings Front Left is Ok	Ok	
Door Fittings Rear Right is Ok	Ok	
Door Fittings Rear Left is Ok	Ok	

Door Levers Front Right is Ok	Ok	
Door Levers Front Left is Ok	Ok	
Door Levers Rear Right is Ok	Ok	
Door Levers Rear Left is Ok	Ok	
Front Windshield is Ok	Ok	
Rear Windshield is Ok	Ok	
Front Right Door Window is Ok	Ok	
Front Left Door Window is Ok	Ok	
Rear Right Door Window is Ok	Ok	
Rear Left Door Window is Ok	Ok	
Exterior Lights		
Headlight Right Condition is Ok	Ok	
Headlight Right is Working	Ok	
Headlight Left Condition is Ok	Ok	
Headlight Left is Working	Ok	
Taillight Right Condition is Ok	Ok	
Taillight Right is Working	Ok	
Taillight Left Condition is Ok	Ok	
Taillight Left is Working	Ok	
Number Plate Lights is Ok	Ok	
Number Plate Lights is Working	Ok	right side is not Ok
Reverse Light is Ok	Ok	
Reverse Light is Working	Ok	
Fog Lights are Ok	Ok	
Fog Lights are Working	Ok	
Under Body Shields		
Under Body Shields are Ok	Ok	
Fender Shields are Ok	Ok	

Tyres		
Brand Name	Bridgestone	
Tyre Size	16	
Front Right	4mm	38% Tyre Life Remaining
Front Left	4mm	38% Tyre Life Remaining
Rear Right	3mm	22% Tyre Life Remaining
Rear Left	3mm	22% Tyre Life Remaining
Spare Tyre	Ok	
Rims	Ok	
Exterior Condition		



Legend

- A1:** Small Scratch
- A2:** Scratch
- A3:** Big Scratch
- B:** Dent with scratch
- E1:** Few Dimples
- E2:** Several Dimples
- E3:** Many Dimples
- U1:** Small Dent
- U2:** Dent
- U3:** Big Dent

Remarks		

Disclaimer: This report is based on the condition of the vehicle on the date of certification and provides an approximate estimate of the condition on that date. Except where indicated, the parts were in working condition - this report does not take into account the condition of parts not visible or not inspected. PakWheels.com has relied on the odometer reading for kms driven as seen at the time of inspection and is not responsible for verifying its genuineness. The report is in no way a commitment on the condition of the car. All reports are subjective and PakWheels.com and its associates cannot be held liable in any way due to the use of this report.

Inspection By

Aung Aung Co & Hein Winna Hlaing



www.carsdb.com