

| |
|-----------------------|
| Chevrolet Spin |
|-----------------------|

| General Information | |
|---------------------|--------------|
| Seller Name | Aung Aung Oo |
| Engine Capacity | 1500 CC |
| Mileage | 30123 Km |
| Fuel Type | Petrol |
| Transmission Type | Auto |
| Color | Red |
| Location | Bahan |

| Engine/Transmission | Ok/Not Ok | Remarks |
|-------------------------------|-----------|---------|
| Fluid/Filters Check | | |
| Engine Oil | OK | |
| Transmission Oil | N/A | |
| Brake Oil | OK | |
| Washer Fluid | OK | |
| Machanical Check | | |
| Belts are OK | OK | |
| Engine Vibration is OK | OK | |
| Engine Cooling System | | |
| Radiator Expansion Tank is Ok | OK | |
| Suction Fan is Ok | OK | |
| Engine Electronics | | |
| Starter Operation is Ok | OK | |

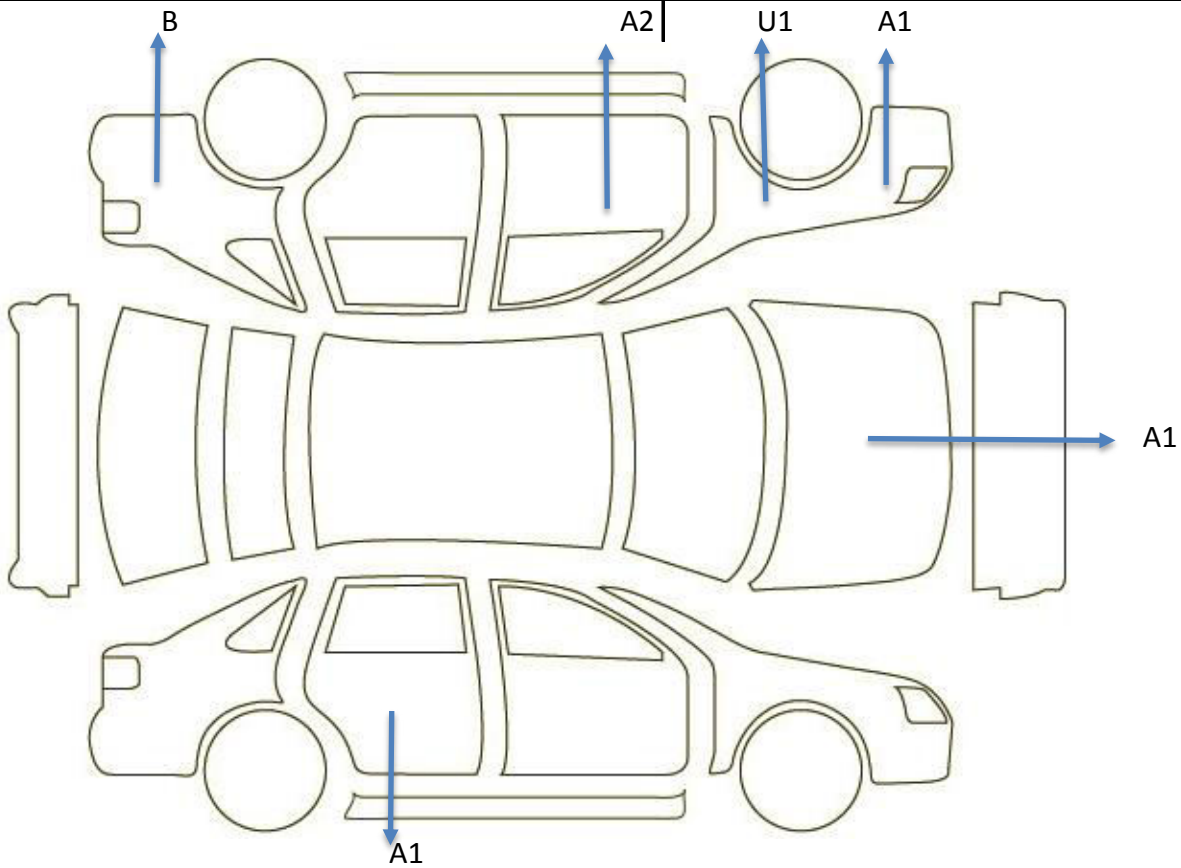
| Interior | | |
|---|----|--|
| | | |
| Steering Controls | | |
| Lights Lever/Switch is working | OK | |
| Washer Lever/Switch is working | OK | |
| Windscreen Wiper is Ok | OK | |
| Horn is working | OK | |
| | | |
| Mirrors | | |
| Side Mirror Right is working | OK | |
| Side Mirror Left is working | OK | |
| | | |
| Power/Manual Windows & Central Locking | | |
| Power Window/Manual Lever Right Front is Working | OK | |
| Power Window/Manual Lever Right Rear is Working | OK | |
| Power Window/Manual Lever Left Front is Working | OK | |
| Power Window/Manual Lever Left Rear is Working | OK | |
| Central Lock System is working | OK | |
| Remote Lock is working | OK | |
| | | |
| Dash/Roof Controls | | |
| Interior Lightings are Working | OK | |
| Dash Controls - A/C are Working | OK | |
| Dash Controls - De-Fog is Working | OK | |
| Dash Controls - Hazzard Lights are Working | OK | |
| Audio/Video is Working | OK | |
| Rear View Camera is Working | OK | |
| Cigarette Lighter is Working | OK | |
| Fuel Cap Release Lever/Button is Working | OK | |
| Bonnet Release Lever/Button is Working | OK | |
| | | |
| | | |
| | | |

| | | |
|---------------------------------------|----|--|
| Interior | | |
| Ceiling is Clean | OK | |
| Floor is Clean | OK | |
| Doors Panel is Clean | OK | |
| Dashboard Condiiton is Clean | OK | |
| Sunshades are Working | OK | |
| Boot Carpet / Mat is Clean | OK | |
| Boot Board is Clean | OK | |
| Driver Seat is Clean | OK | |
| Passenger Seat is Clean | OK | |
| Rear Seat is Clean | OK | |
| | | |
| Equipment | | |
| Spare Tire is present | OK | |
| Tools or Jack is present | OK | |
| | | |
| Electrical & Electronics | | |
| Battery Terminals are Ok | OK | |
| Voltage is in Range | OK | |
| | | |
| Instrument Cluster | | |
| Gauges are working | OK | |
| Malfunction indication is not present | OK | |

| | | |
|---------------------------------|----|--|
| Exterior | | |
| | | |
| Doors/Windows | | |
| Trunk Lock is Ok | OK | |
| Door Fittings Front Right is Ok | OK | |
| Door Fittings Front Left is Ok | OK | |
| Door Fittings Rear Right is Ok | OK | |
| Door Fittings Rear Left is Ok | OK | |

| | | |
|---------------------------------|----|--|
| Door Levers Front Right is Ok | OK | |
| Door Levers Front Left is Ok | OK | |
| Door Levers Rear Right is Ok | OK | |
| Door Levers Rear Left is Ok | OK | |
| Front Windshield is Ok | OK | |
| Rear Windshield is Ok | OK | |
| Front Right Door Window is Ok | OK | |
| Front Left Door Window is Ok | OK | |
| Rear Right Door Window is Ok | OK | |
| Rear Left Door Window is Ok | OK | |
| | | |
| Exterior Lights | | |
| Headlight Right Condition is Ok | OK | |
| Headlight Right is Working | OK | |
| Headlight Left Condition is Ok | OK | |
| Headlight Left is Working | OK | |
| Taillight Right Condition is Ok | OK | |
| Taillight Right is Working | OK | |
| Taillight Left Condition is Ok | OK | |
| Taillight Left is Working | OK | |
| Number Plate Lights is Ok | OK | |
| Number Plate Lights is Working | OK | |
| Reverse Light is Ok | OK | |
| Reverse Light is Working | OK | |
| Fog Lights are Ok | OK | |
| Fog Lights are Working | OK | |
| | | |
| Under Body Shields | | |
| Under Body Shields are Ok | OK | |
| Fender Shields are Ok | OK | |
| | | |
| | | |
| | | |
| | | |

| Tyres | | |
|--------------------|----------|------------------------|
| Brand Name | Champiro | |
| Tyre Size | 15 | |
| Front Right | 3 | 22%Tyre Life Remaining |
| Front Left | 3 | 22%Tyre Life Remaining |
| Rear Right | 2 | 6%Tyre Life Remaining |
| Rear Left | 2 | 6%Tyre Life Remaining |
| Spare Tyre | OK | |
| Rims | OK | |
| | | |
| Exterior Condition | | |



Legend

- A1:** Small Scratch
- A2:** Scratch
- A3:** Big Scratch
- B:** Dent with scratch
- E1:** Few Dimples
- E2:** Several Dimples
- E3:** Many Dimples
- U1:** Small Dent
- U2:** Dent
- U3:** Big Dent

| Remarks | | |
|---------|--|--|
| | | |

Disclaimer: This report is based on the condition of the vehicle on the date of certification and provides an approximate estimate of the condition on that date. Except where indicated, the parts were in working condition - this report does not take into account the condition of parts not visible or not inspected. PakWheels.com has relied on the odometer reading for kms driven as seen at the time of inspection and is not responsible for verifying its genuineness. The report is in no way a commitment on the condition of the car. All reports are subjective and PakWheels.com and its associates cannot be held liable in any way due to the use of this report.

Inspection By

Aung Aung Co & Hein Winna Hlaing



CAR✓**CHECK**

www.carsdb.com