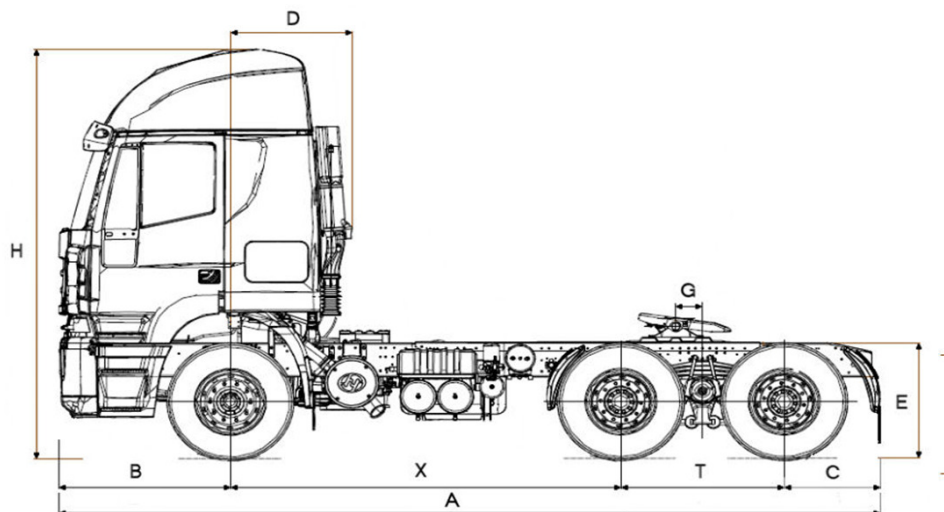


IVECO

682

SC 600 G 38 HT

Heavy tractor 6x4 HR



MAXIMUM WEIGHTS (kg.)	G.V.W.	G.C.W.	Front axle	Tandem
Legal weights	25.000	49.000	7.000	18.000
Design weights	34.000	60.000	8.000	26.000

KERBWEIGHTS (kg.)	
Front axle	4.620
Rear axle	4.530
Total	9.150
PAYLOAD (kg.) @ G.C.W.	39.850

DIMENSIONS (mm)		
X	Wheelbase	3.225
	Tandem	1.350
A	Overall length (over bumpers)	6.718
B	Front overhang	1.435
C	Rear overhang	725
	Maximum width	2.500
	Minimum turning diameter	16.166
D	Front axle to back of cab	915
E	Frame height at frame end	1.120
	Minimum ground clearance	300
	Front track	2.006
	Rear track	1.800
G	Fifth wheel position maximum	320
H	Overall height to top of cab	3.832
	Frame thickness	8

TYRES & WHEELS		Mission	Tyre dimensions		Wheel dimensions	
			Front	Rear	Front	Rear
Standard	20429	C	295/80 R 22,5	295/80 R 22,5	22.5x8.25	22.5x8.25
Option	20673	C	12.00 R 20	12.00 R 20	20x8.5	20x8.5
Option	20234	C	11.00 R 20	11.00 R 20	20x8.5	20x8.5
Option	20030	C	315/80 R 22,5	315/80 R 22,5	22.5x9.00	22.5x9.00

Tyre mission code: B = regional; C = all use; D = mix/off road

NOTE: Weights are to standard specification and do not include fuel, fifth wheel, driver and tools. Kerb weights are subject to a manufacturing tolerance of +/- 5%.

682

Cursor 9 - 380 HP

SC 600 G 38 HT

ENGINE

Turbocharger	Iveco Cursor 9 F2CE0681*B
Cylinders in line	Waste-Gate valve
Bore (mm)	6
Stroke (mm)	117
Capacity (litres)	135
Max power (HP/kW)	8,709
@ rpm	380/280
Max torque (Nm/mKg)	1800-2100
@ rpm	1500/153
E.E.C. emissions regulation	1000-1750
Fuel system	Euro 3
Speed limiter	High pressure common rail
Cruise control	90kmh
Air admission / Filter type	Standard
	Rear cab snorkel / dry - Horizontal

GEARBOXES

Ratios	MECHANICAL	
	12JS160TA	
1st	12,10	
2nd	9,41	
3rd	7,31	
4th	5,71	
5th	4,46	
6th	3,48	
7th	2,71	
8th	2,11	
9th	1,64	
10th	1,28	
11th	1,00	
12th	0,78	
Rev	11,56	2,59

PERFORMANCE

(with standard tyres)

Axle ratio	4,42
Geared speed (km/h)	126
Gradeability % @ 25 t G.V.W.	54
Gradeability % @ 49 t G.C.W.	25

CLUTCH

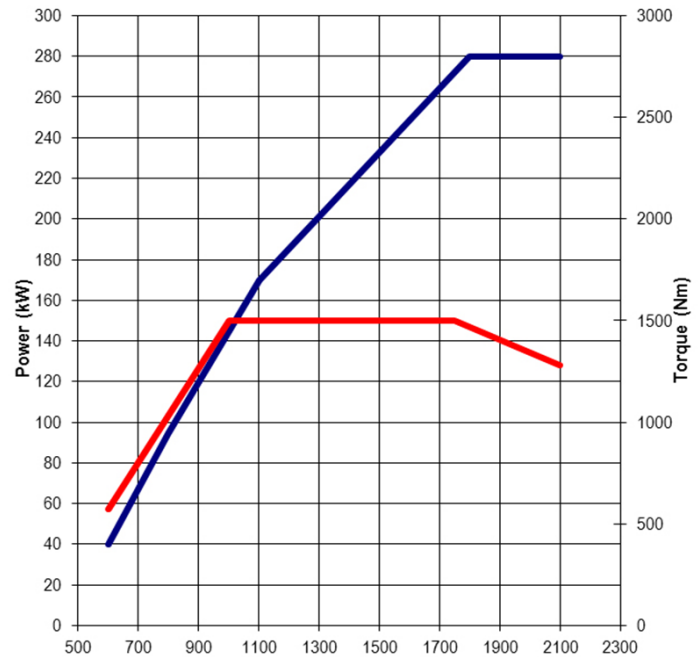
Type	Single plate, diaphragm spring, pull type.
Diameter (mm)	(17") 430 mm

BRAKES

Type	3 independent pneumatic circuits
Service	A.B.S. as option
Front axle	Drums - Diam. 420 x 160 mm
Rear axle	Drums - Diam. 410 x 160 mm
Parking	Mechanical with spring cylinder, front and rear.
Emergency	Combined with parking brake.
Air reservoirs	Made of steel
Auxiliary brake	Decompression engine brake
Air compressor	630 cc - twin cylinder
Heated air dryer	Air Processing Unit

CHASSIS

Type	Frame made in high tensile steel.
	Type 90 SI VL
Distance between side members	940 / 780
Side member length (mm)	280
Frame thickness (mm)	8



ELECTRICS

Tension	24v negative earth return.
Alternator	28v, 90A.
Starter	24v, 5.5kW.
Batteries	2 x 12v, 165Ah.
Circuits protected	By fuse.
System	complying with EEC 75/756 norm.

SUSPENSIONS

Front	Parabolic springs.
Rear	Parabolic springs.
Anti roll bar	On front and rear axles as standard.
Shock absorbers	2 on front.

STEERING

Type	ZF Power assisted.
Steering wheel diameter	480 mm.

AXLES

Front axle	Type F7140. I beam construction.
	Capacity 9000 kg.
Rear axle	CF 25400 + CF 24500
	Hub Reduction
	Capacity 2 x 13000 kg.
	Cross axle as standard.
	4.42 standard.
Differential lock	
Rear axle ratio	

FUEL TANK

Type and capacity	400 lt. Aluminium with cap with lock.
-------------------	---------------------------------------

CAB INTERIOR

Active Space with high roof

Mechanical suspended 3-way adjustable driver's seat, mechanical suspended passenger seat both with seat belt. Adjustable steering column. Dashboard with instrument cluster including speedometer, rev counter, gauges, air vents, switches, climate controls (heater and air conditioner), gloves and electric fuses box, radio with CD reader. Overhead console with 3 storage boxes, tiltable sunvisors, spot lights. Automatic electronic tachograph. Lower bunk with beneath storage box. Upper tiltable bunk with protection net. Spot lights on the rear wall. Electric windows lift. Perimetrical and cross nighting curtains.

CAB EXTERIOR

Active Space with high roof

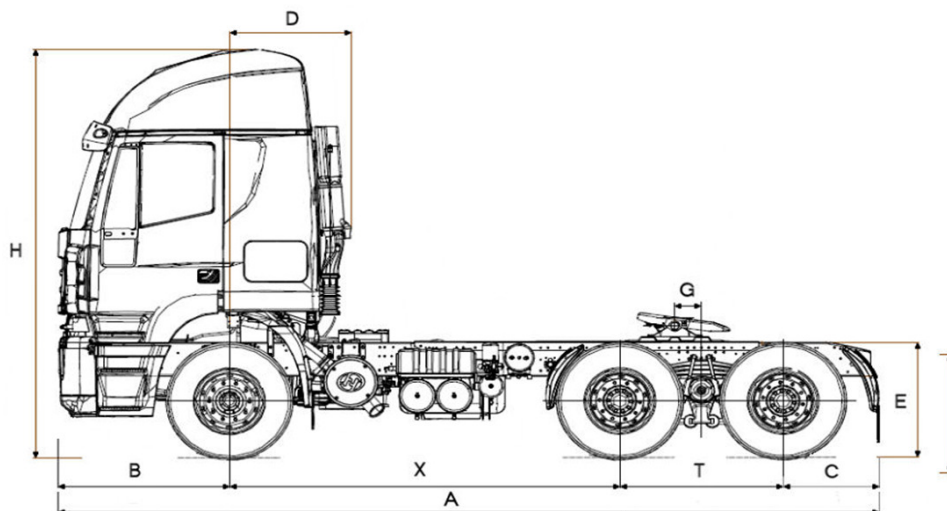
Galvanized pressed steel construction with plastic vulnerable parts. Cab tilt with hydraulic control. Tinted electric door windows and laminated windscreen. Air horn beneath the cab. External sun visor. Roof hatch. Aerial. Mechanical cab suspension. Left hand external cab stowage box.

IVECO

682

SC 600 G 38 HTS

Heavy tractor 6x4 SR



MAXIMUM WEIGHTS (kg.)	G.V.W.	G.C.W.	Front axle	Tandem
Legal weights	25.000	49.000	7.000	18.000
Design weights	34.000	60.000	8.000	26.000

KERBWEIGHTS (kg.)	
Front axle	4.850
Rear axle	4.820
Total	9.670
PAYLOAD (kg.) @ G.C.W.	39.330

DIMENSIONS (mm)		
X	Wheelbase	3.225
	Tandem	1.350
A	Overall length (over bumpers)	6.718
B	Front overhang	1.435
C	Rear overhang	725
	Maximum width	2.500
	Minimum turning diameter	16.166
D	Front axle to back of cab	915
E	Frame height at frame end	1.120
	Minimum ground clearance	300
	Front track	2.006
	Rear track	1.800
G	Fifth wheel position maximum	320
H	Overall height to top of cab	3.832
	Frame thickness	8

TYRES & WHEELS		Mission	Tyre dimensions		Wheel dimensions	
			Front	Rear	Front	Rear
Standard	20429	C	295/80 R 22,5	295/80 R 22,5	22.5x8.25	22.5x8.25
Option	20673	C	12.00 R 20	12.00 R 20	20x8.5	20x8.5
Option	20234	C	11.00 R 20	11.00 R 20	20x8.5	20x8.5
Option	20030	C	315/80 R 22,5	315/80 R 22,5	22.5x9.00	22.5x9.00

Tyre mission code: B = regional; C = all use; D = mix/off road

NOTE: Weights are to standard specification and do not include fuel, fifth wheel, driver and tools. Kerb weights are subject to a manufacturing tolerance of +/- 5%.

682

Cursor 9 - 380 HP

SC 600 G 38 HTS

ENGINE

Turbocharger	Iveco Cursor 9 F2CE0681*B
Cylinders in line	Waste-Gate valve
Bore (mm)	6
Stroke (mm)	117
Capacity (litres)	135
Max power (HP/kW)	8,709
@ rpm	380/280
Max torque (Nm/mKg)	1800-2100
@ rpm	1500/153
E.E.C. emissions regulation	1000-1750
Fuel system	Euro 3
Speed limiter	High pressure common rail
Cruise control	90kmh
Air admission / Filter type	Standard
	Rear cab snorkel / dry - Horizontal

GEARBOXES

Ratios	MECHANICAL	
	12JS160TA	
1st	12,10	
2nd	9,41	
3rd	7,31	
4th	5,71	
5th	4,46	
6th	3,48	
7th	2,71	
8th	2,11	
9th	1,64	
10th	1,28	
11th	1,00	
12th	0,78	
Rev	11,56	2,59

PERFORMANCE

(with standard tyres)

Axle ratio	4,11
Geared speed (km/h)	129
Gradeability % @ 25 t G.V.W.	53
Gradeability % @ 49 t G.C.W.	24

CLUTCH

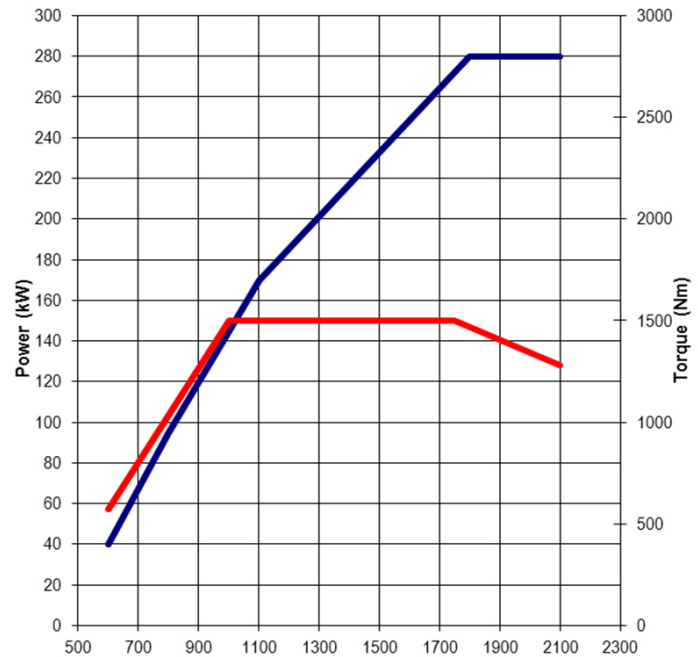
Type	Single plate, diaphragm spring, pull type.
Diameter (mm)	(17") 430 mm

BRAKES

Type	3 independent pneumatic circuits
Service	A.B.S. as option
Front axle	Drums - Diam. 420 x 160 mm
Rear axle	Drums - Diam. 410 x 160 mm
Parking	Mechanical with spring cylinder, front and rear.
Emergency	Combined with parking brake.
Air reservoirs	Made of steel
Auxiliary brake	Decompression engine brake
Air compressor	630 cc - twin cylinder
Heated air dryer	Air Processing Unit

CHASSIS

Type	Frame made in high tensile steel.
	Type 90 SI VL
Distance between side members	940 / 780
Side member length (mm)	280
Frame thickness (mm)	8



ELECTRICS

Tension	24v negative earth return.
Alternator	28v, 90A.
Starter	24v, 5.5kW.
Batteries	2 x 12v, 165Ah.
Circuits protected	By fuse.
System	complying with EEC 75/756 norm.

SUSPENSIONS

Front	Parabolic springs.
Rear	Parabolic springs.
Anti roll bar	On front and rear axles as standard.
Shock absorbers	2 on front.

STEERING

Type	ZF Power assisted.
Steering wheel diameter	480 mm.

AXLES

Front axle	Type F7140. I beam construction. Capacity 9000 kg.
Rear axle	SIH F2500 C20 + F2400 C10 Single Reduction Capacity 2 x 13000 kg. Cross axle as standard. 4,11 standard.
Differential lock	
Rear axle ratio	

FUEL TANK

Type and capacity	400 lt. Aluminium with cap with lock.
-------------------	---------------------------------------

CAB INTERIOR

Active Space with high roof

Mechanical suspended 3-way adjustable driver's seat, mechanical suspended passenger seat both with seat belt. Adjustable steering column. Dashboard with instrument cluster including speedometer, rev counter, gauges, air vents, switches, climate controls (heater and air conditioner), gloves and electric fuses box, radio with CD reader. Overhead console with 3 storage boxes, tiltable sunvisors, spot lights. Automatic electronic tachograph. Lower bunk with beneath storage box. Upper tiltable bunk with protection net. Spot lights on the rear wall. Electric windows lift. Perimetrical and cross nighting curtains.

CAB EXTERIOR

Active Space with high roof

Galvanized pressed steel construction with plastic vulnerable parts. Cab tilt with hydraulic control. Tinted electric door windows and laminated windscreen. Air horn beneath the cab. External sun visor. Roof hatch. Aerial. Mechanical cab suspension. Left hand external cab stowage box.